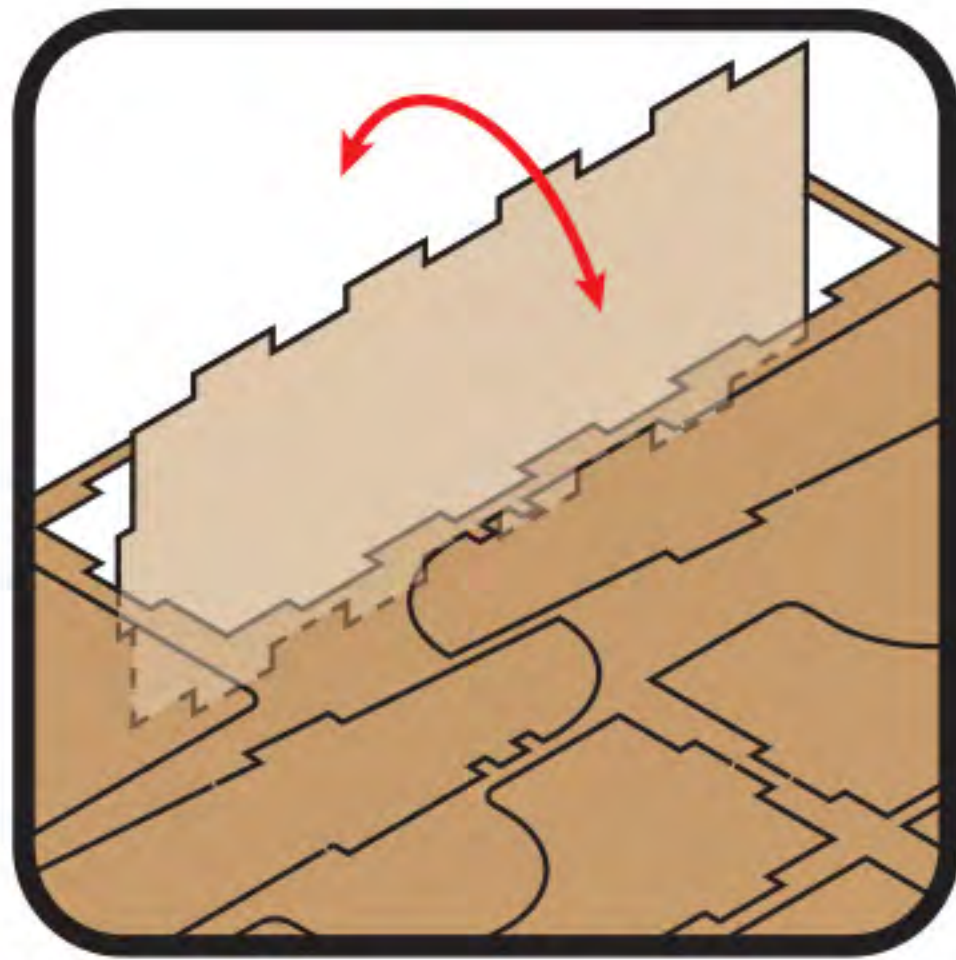


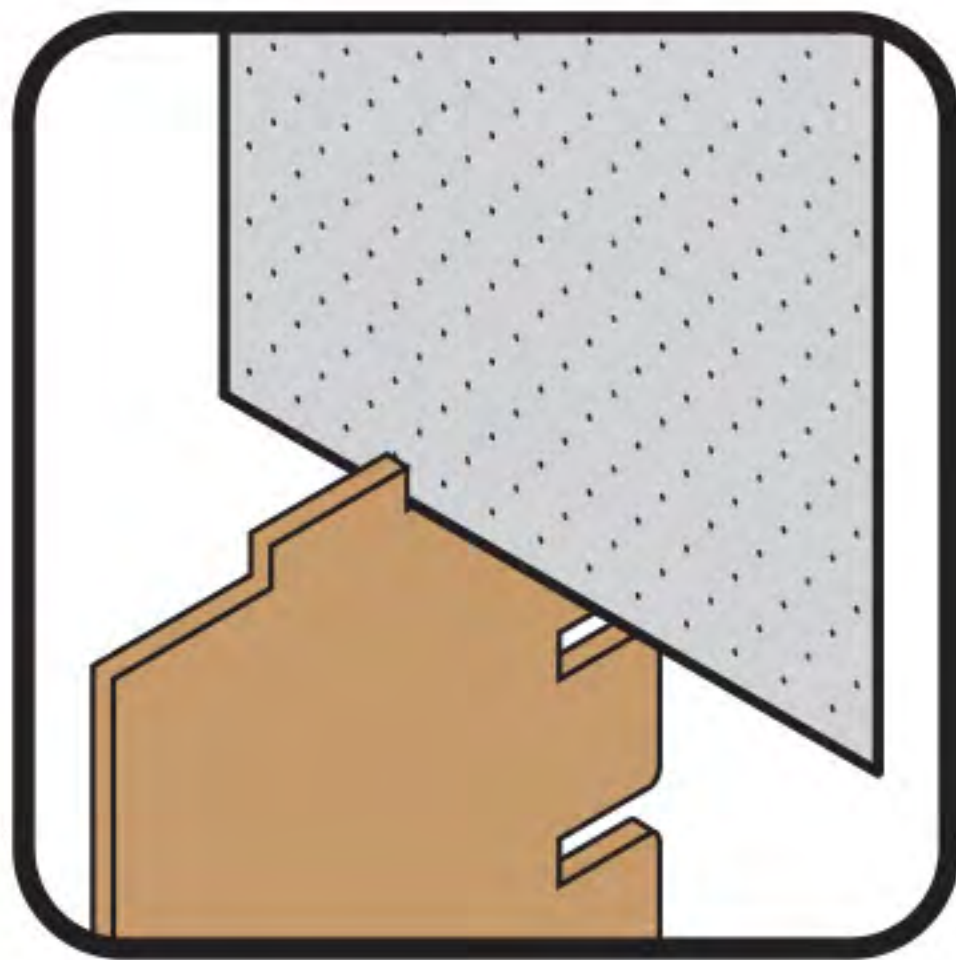
# Assembly Tips and Tricks



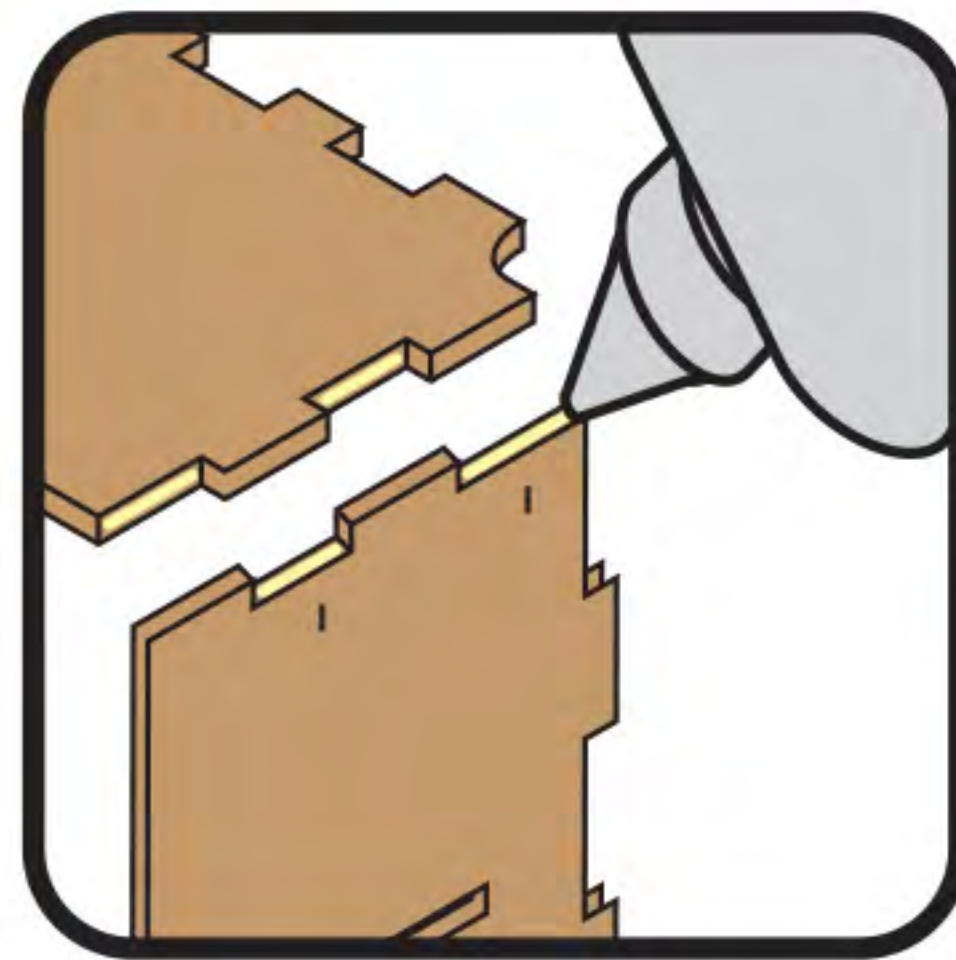
Remove parts from the frame by rotating them back and forth until they break free.



Trim off any excess wood with a hobby knife.



Tight pieces can be sanded, or trimmed with a hobby knife, to create a better fit.



Loose pieces may be assembled with a small amount of wood glue.

We recommend using glue for any removable trays or parts that are handled frequently.



Gently tap pieces together with a mallet, hammer or other blunt object.

See more assembly tips and product videos on YouTube:  
[youtube.com/thebrokentoken](https://www.youtube.com/thebrokentoken)  
 or contact us via through our website:  
[www.thebrokentoken.com/contact-us](http://www.thebrokentoken.com/contact-us)



[www.thebrokentoken.com](http://www.thebrokentoken.com)



compatible with  
**Mysterium™**



This box organizer is compatible with Mysterium™ and is a non-licensed product. All trademarks and copyrights are properties of their respective owners.

Product subject to change without notice. ©2018 The Broken Token, LLC. Visit [thebrokentoken.com](http://thebrokentoken.com) for our full line of gaming organizers and accessories.



**Warning:** Not a toy. Not suitable for children under 14 years of age. Usage under parental guidance or guidance of adults only.



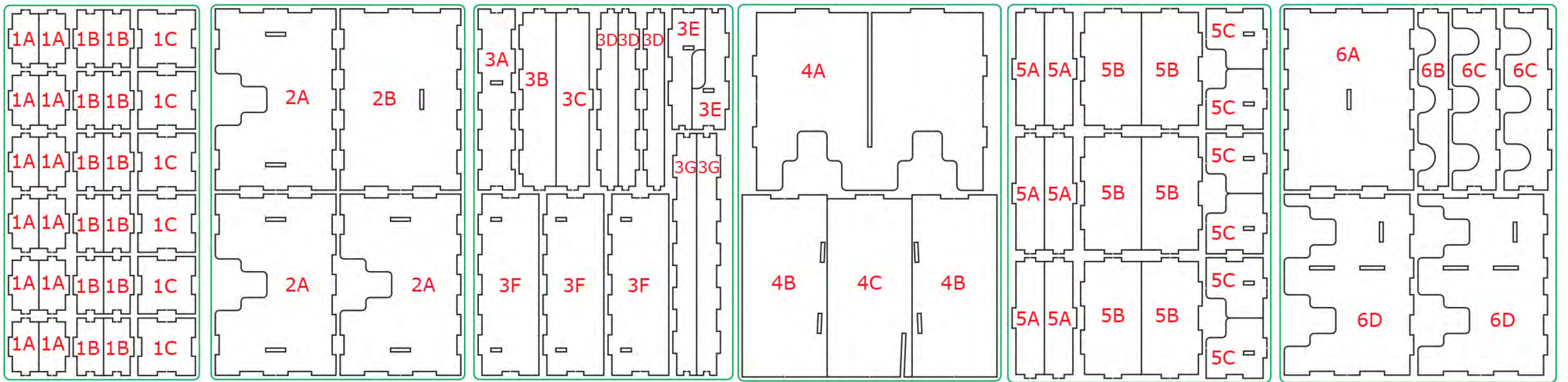
ORG076



[www.thebrokentoken.com](http://www.thebrokentoken.com)

@tbt\_gaming thebrokentoken thebrokentoken thebrokentoken

# Assembly Instructions

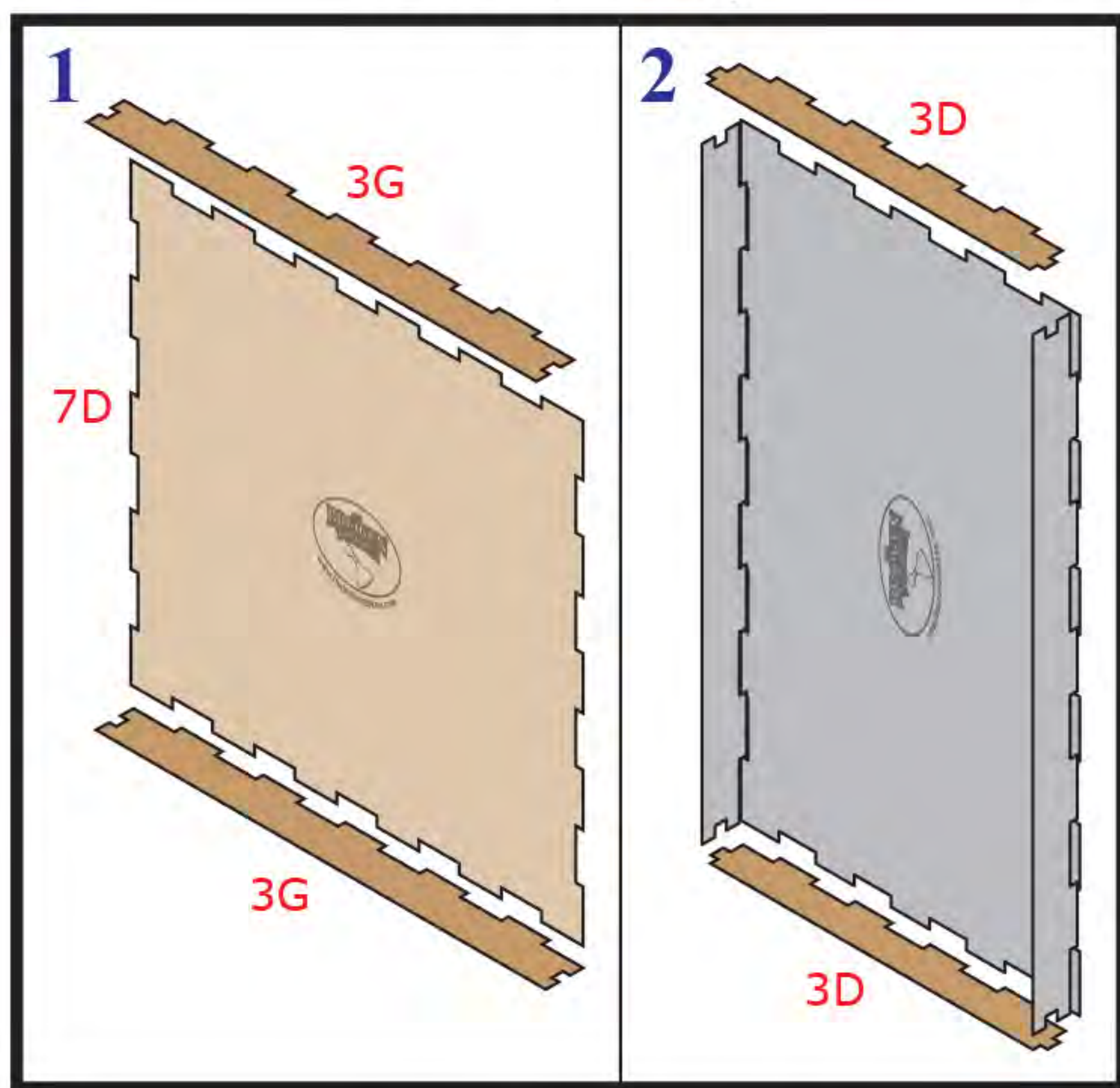


Thank you for purchasing our Mysterious Organizer. If you have any questions about assembly, please don't hesitate to contact us through our website.

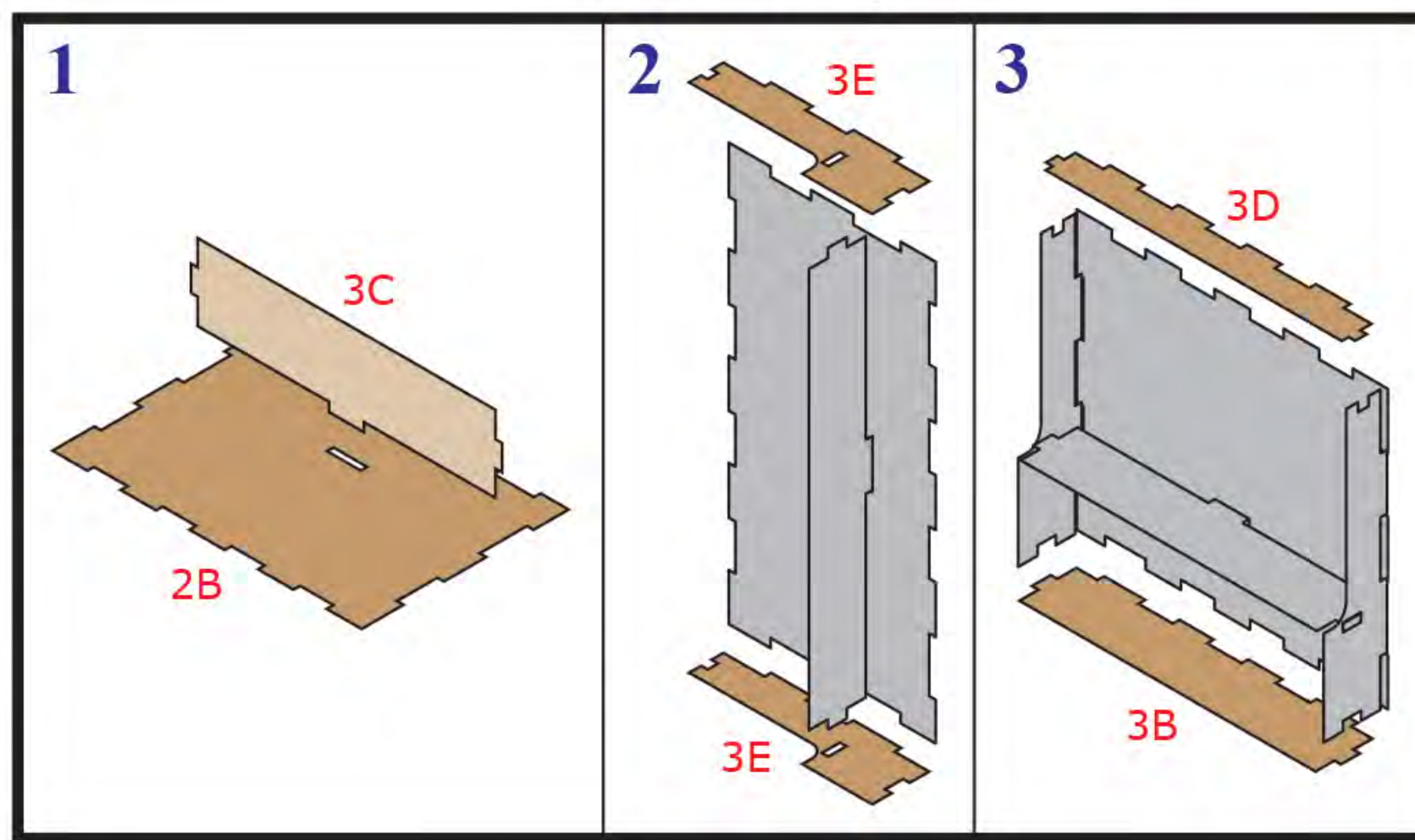
Note: Glue should be used on all joints. Wood glue is recommended.



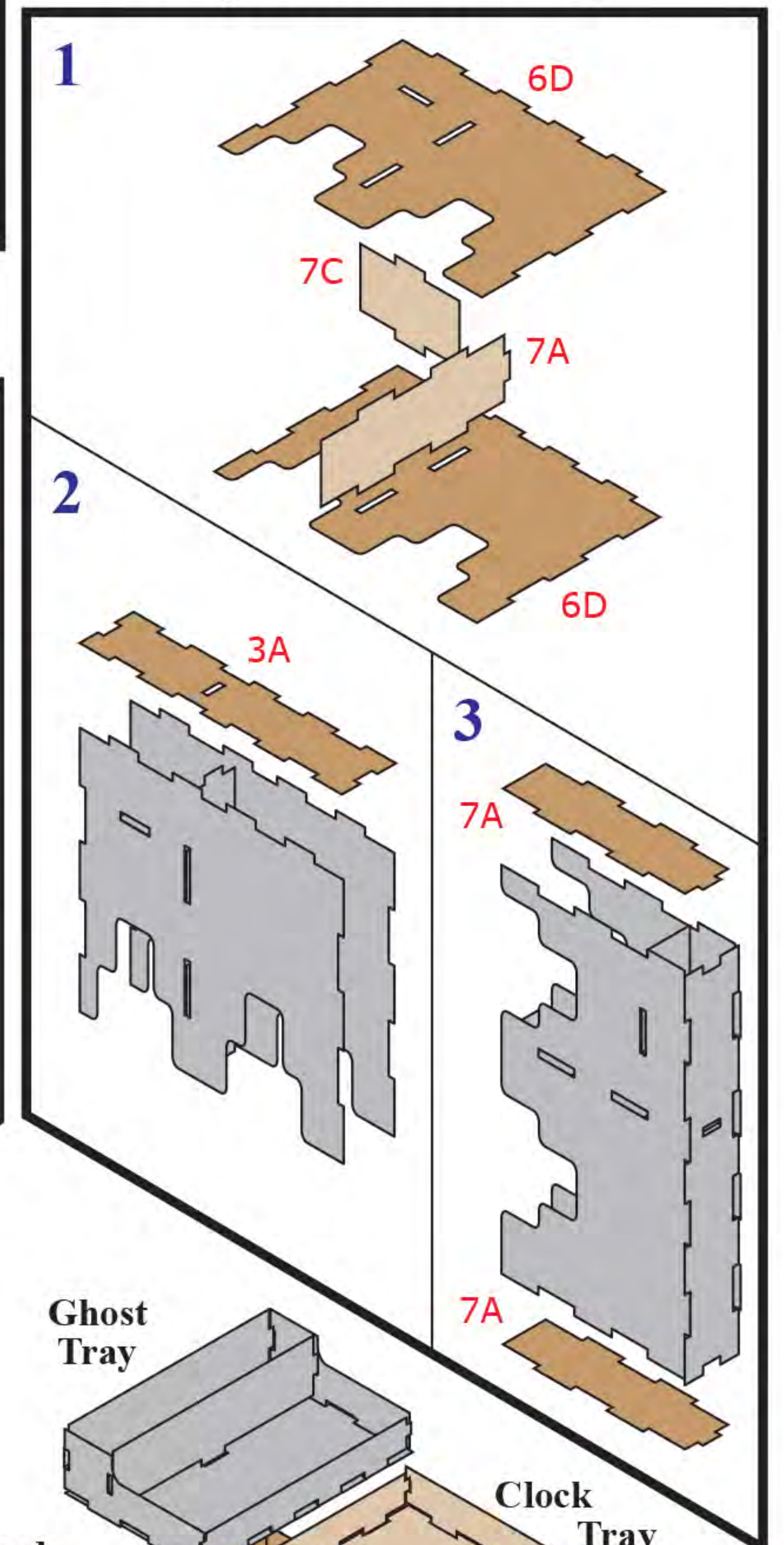
## Clock Tray



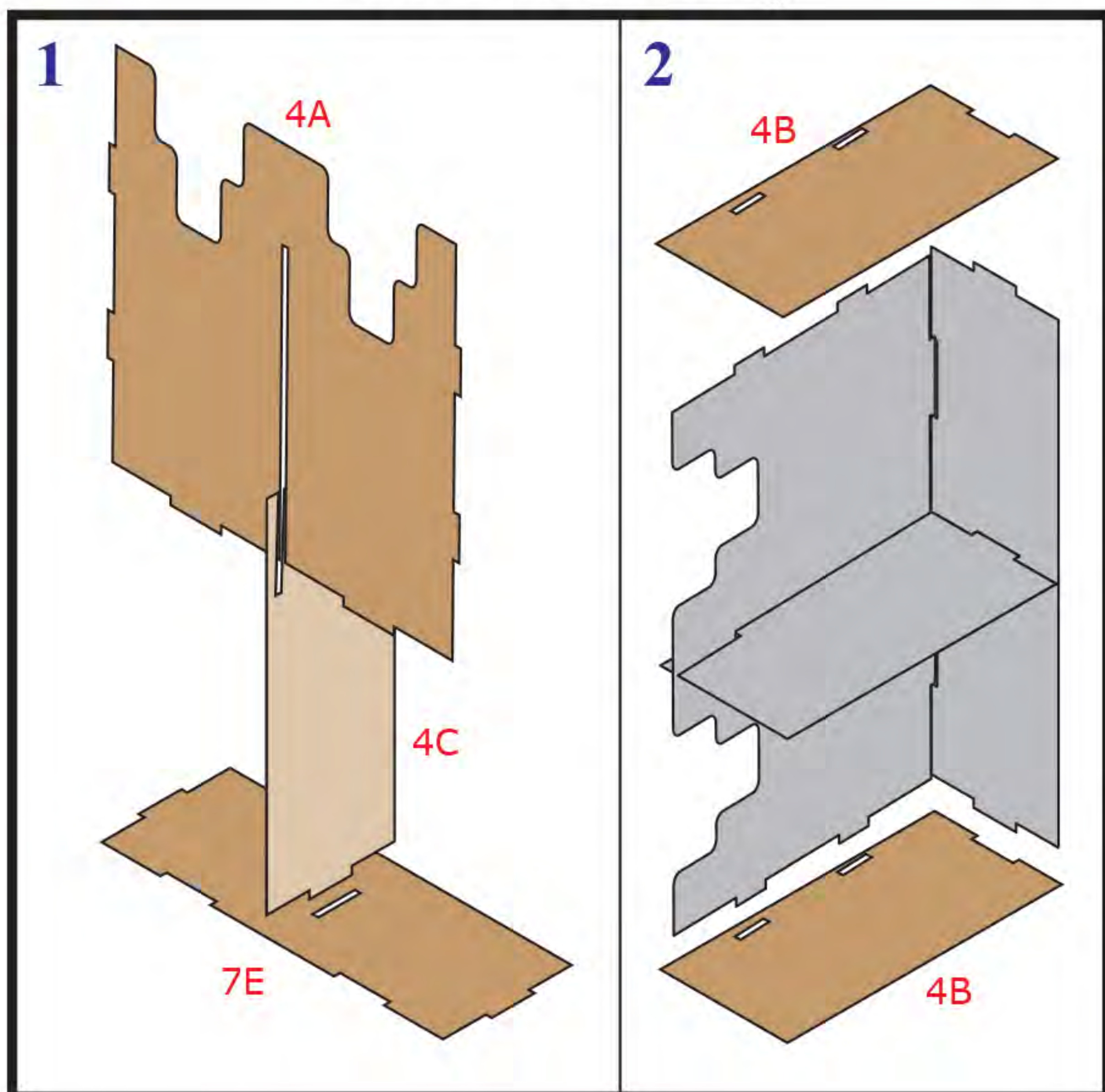
## Ghost Tray



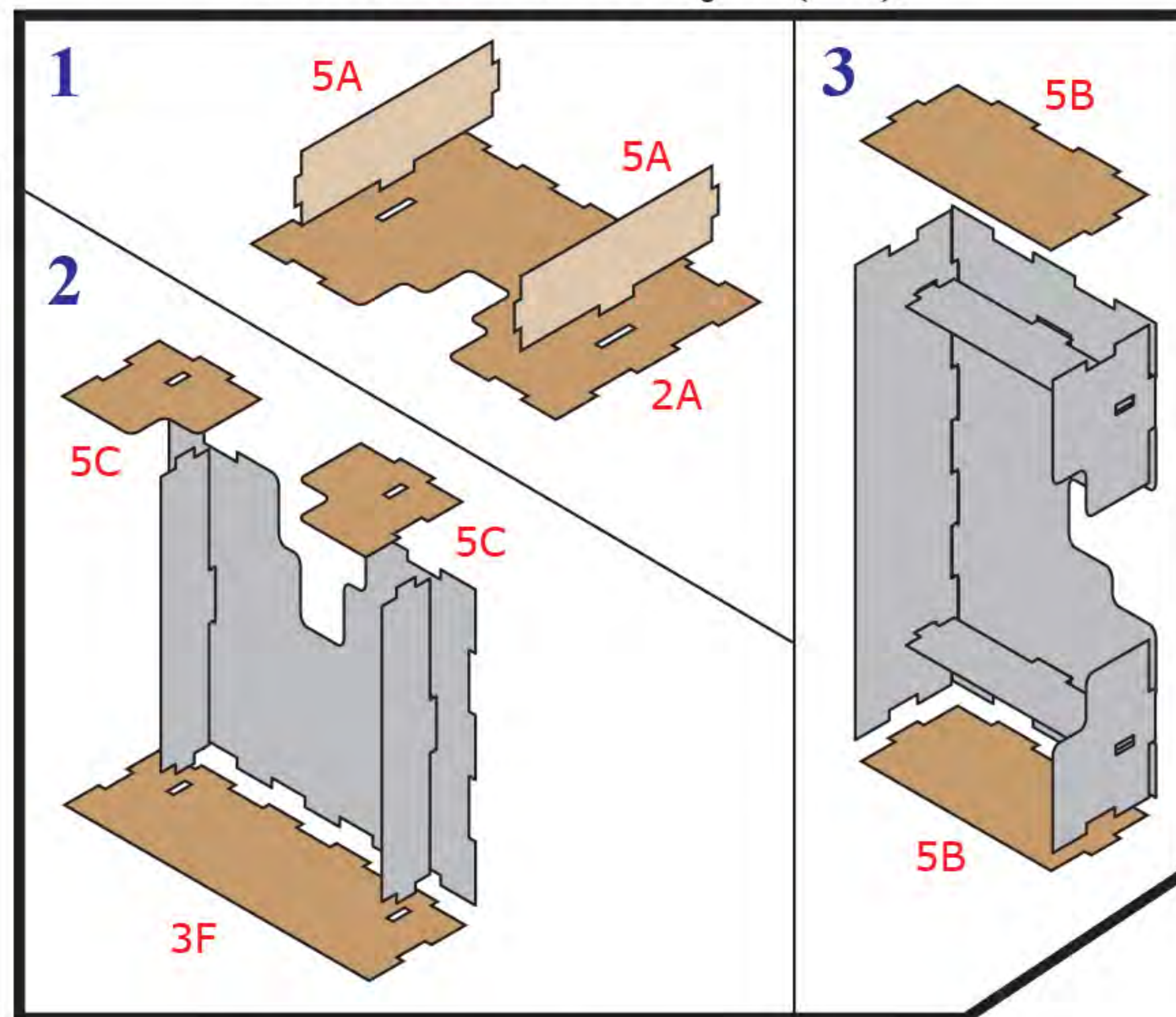
## Object Card Tray



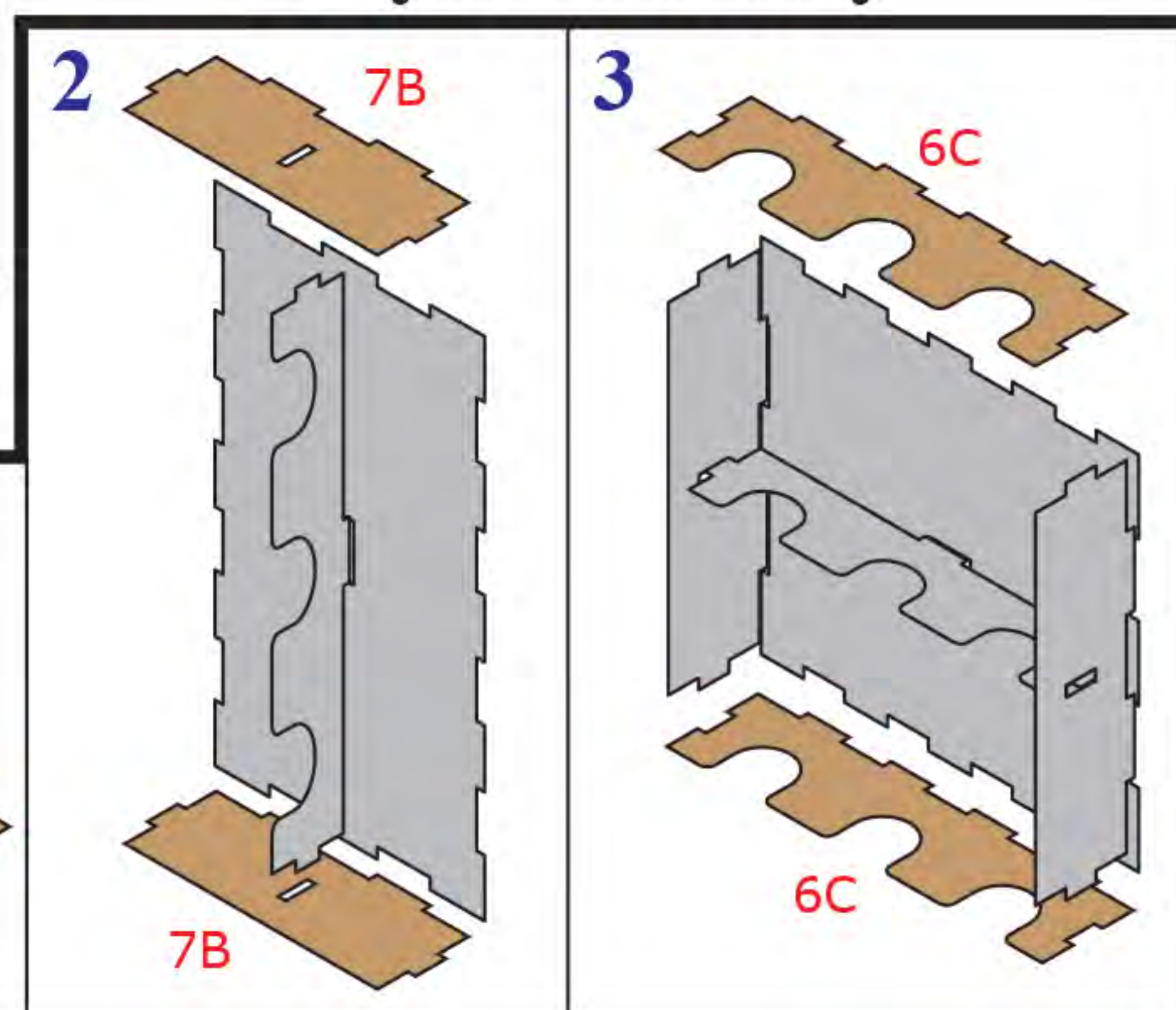
## Vision Card Tray



## Clue Card Trays (x3)



## Player Box Tray



## Player Boxes (x6)

